

## Assessment Questionnaire for Accessibility of Accommodation

Hotel Assessed by:

Cairns Regional Council Staff

Hotel staff

**Assessed Criteria:**



M1



M2



HS

A	Type of Establishment: (Please answer only one)	<input type="checkbox"/> Hotel <input type="checkbox"/> Apartment/Resort <input type="checkbox"/> Furnished flats (with or without hotel service) <input type="checkbox"/> Other
B	Name of Establishment:	
C	Address: (Street, number):	
D	Town / City	
E	Postal Code	
F	Telephone [Country code, Area code, number ]	+61 7
G	Fax [Country code, Area code, number ]	+61 7
H	Email	
I	Name of Contact Person(s) for accessibility registration	
J	Website	

**NB: Questions highlighted are essential.**

ACCESSIBLE CAR PARKING			
	1. Are designated parking spaces provided for each accessible unit?	<input type="checkbox"/> YES <input type="checkbox"/> NO	<u>Photo required</u>
	2. If a car park or reserved parking space is not provided is there an accessible set down point close to the entrance?	<input type="checkbox"/> YES <input type="checkbox"/> NO	

BUILDING ENTRANCE			
MAIN ENTRANCE FOR PEOPLE WITH DISABILITIES			
	Are there any steps to the <b>main entrance</b> ?	<input type="checkbox"/> YES <input type="checkbox"/> NO	<u>Photo required</u>
	<b>If 'yes'</b> , how many steps?	____ Steps	
	<b>If 'yes'</b> , is there a handrail by the steps?	<input type="checkbox"/> YES <input type="checkbox"/> NO	
	Is there a ramp to the main entrance?	<input type="checkbox"/> YES <input type="checkbox"/> NO	
	If there is a ramp, what is the width of it?	____mm	
	<b>If 'yes'</b> , is there a handrail by the ramp?	<input type="checkbox"/> YES <input type="checkbox"/> NO	
	What is the width of the clear opening space at the main entrance door?	____ mm	Minimum 850mm
	Is the main entrance door: <input type="checkbox"/> Manual <input type="checkbox"/> Revolving with alternative side-hung manual door <input type="checkbox"/> Revolving with NO alternative side-hung manual door <input type="checkbox"/> Other	<input type="checkbox"/> Automatic  <b>(tick at least one)</b>	<u>Photo required</u>
LIFT			
	Is there a lift? <i>If "NO" please go to next section</i>	<input type="checkbox"/> YES <input type="checkbox"/> NO	
	<b>If yes</b> , what is the width of the clear opening space at the lift-door?	____ mm	
	<b>If yes</b> , what is the internal width of the lift?	____ mm	1100mm Minimum
	<b>If yes</b> , what is the internal depth of the lift?	____ mm	1400mm Minimum
	<b>If yes</b> , is there a verbal announcement for stops at each floor?	<input type="checkbox"/> YES <input type="checkbox"/> NO	
	<b>If yes</b> , do the lift buttons have raised numbers, letters or Braille?	<input type="checkbox"/> YES <input type="checkbox"/> NO	

## ACCESS TO PUBLIC AREAS

Is there level access (with no steps or thresholds), or access by a ramp or lift to public areas:

	<p><b>If yes</b>, list these: _____ e.g. beach, sports area, terrace, dining area, garden</p>		<u>Photo required</u>
--	---	--	-----------------------

## BREAKFAST / DINING ROOM / KITCHEN

	<p>Is there level access (with no steps or thresholds), or by ramp or lift to the breakfast / dining-room?</p>	<input type="checkbox"/> YES <input type="checkbox"/> NO <input type="checkbox"/> N/A	<u>Photo required</u>
	<p>What is the width of the clear opening space at the entrance door to the breakfast / dining-room?</p>	<p>____ mm</p>	Measurement Guide

## GUESTROOMS

### GUESTROOMS – FOR GUESTS WHO USE A WHEELCHAIR

	<p>Are there rooms, <u>with en-suite bathrooms</u>, intended for guests who use a wheelchair? <b><i>If “YES” please complete all questions in the following two sections). If “NO” please go to SPECIAL SERVICES section below.</i></b></p>	<input type="checkbox"/> YES <input type="checkbox"/> NO	<u>Photo required</u>
	<p>How many rooms are available for guests who use a wheelchair? <b>Are the Key Adjoining Rooms</b></p>	<p>No. _____  <input type="checkbox"/> YES  <input type="checkbox"/> NO</p>	
	<p>Do these rooms have level access (including access by a ramp or lift) from the entrance of the establishment to door of the guestroom?</p>	<input type="checkbox"/> YES <input type="checkbox"/> NO	
	<p>Do all door handles allow the door to be unlocked and opened with one hand?</p>	<input type="checkbox"/> YES <input type="checkbox"/> NO	
	<p>Are door handles D style handles?</p>	<input type="checkbox"/> YES <input type="checkbox"/> NO	If not what type?
	<p>Is the force required to open a door with a door closure easy to open?</p>	<input type="checkbox"/> YES <input type="checkbox"/> NO	
	<p>What is the width of the clear opening of the bedroom door?</p>	<p>____ mm</p>	850mm minimum
	<p>Can the bedroom furniture be re-arranged, if requested by the guest?</p>	<input type="checkbox"/> YES <input type="checkbox"/> NO	<u>Photo required</u>
	<p>What is the widest free space at the side of the bed?</p>	<p>____ mm</p>	1000mm min 1200mm preferred
	<p>What is the height of the bed from the floor to the top of the mattress?</p>	<p>____ mm</p>	480-500mm
	<p>What is the clear space height from the floor to under the bed base?</p>	<p>____ mm</p>	150mm required

	If a writing desk is provided what is the height to the top of the desk?	_____mm	850mm max
	What is the clear space height from the floor to under the top of the desk?	_____mm	820mm
	What is the height of the clothes rail in the wardrobe?	_____mm	1350mm max

## EN-SUITES

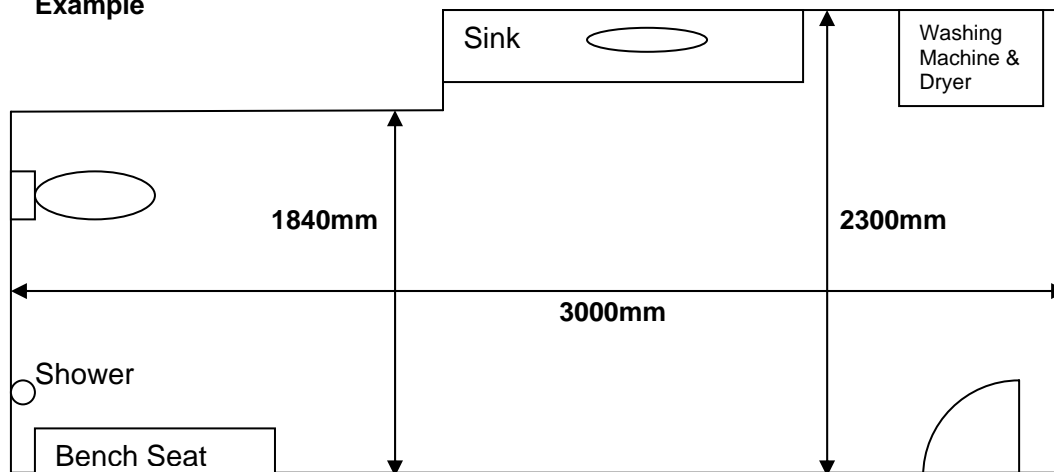
### EN-SUITE BATHROOM FOR PEOPLE WHO USE WHEELCHAIR

	What is the width of the clear opening of the bathroom door?	_____mm	850mm minimum
	Is there a separate shower with level access (no raised shower tray or step-up)?	<input type="checkbox"/> YES <input type="checkbox"/> NO	<u>Photo required</u>
	If there is a raised or sunk shower tray, what is the height of the step into it? (Please circle if the step is up or down)	_____mm	Up/Down
	If it is a shower cubicle, what is the clear opening space of the door?	_____mm	
	Is a fixed shower seat or shower chair provided?	<input type="checkbox"/> YES <input type="checkbox"/> NO	<u>Photo required</u>
	Are there grabrails for support beside the shower?	<input type="checkbox"/> YES <input type="checkbox"/> NO	<u>Photo required</u>
	If grabrails are fitted, at what height are they? (floor to top of rail)	_____mm	800-810mm required
	If there is a shower seat, what height is it from the floor and width of the seat?	H_____mm W_____mm D_____mm	<u>Photo required</u>
	Are there grabrails for support beside the W.C.	<input type="checkbox"/> YES <input type="checkbox"/> NO	<u>Photo required</u>
	If grabrails are fitted, at what height are they? (floor to top of rail)	_____mm	800-810mm required
	What is the measurement from wall to the centre of the W.C.	_____mm	<u>Photo required</u> 450-460mm required
	What is the height of the toilet seat from the floor?	_____mm	460-480mm required
	What is the length of the floor space in front of the WC to washbasin	_____mm	1100mm minimum

	Is there an emergency call system in the bathroom?	<input type="checkbox"/> YES <input type="checkbox"/> NO	
	If there is a bath, what is the height of it from the floor?	____mm	
	If grabrails are fitted, at what height are they? (floor to top of rail)	____mm	800-810mm required
	What is the height to the top of the sink?	____mm	770-800mm required
	What is the height from the floor to the bottom of the sink?	____mm	640-650mm required
	What is the height from the floor to the base of the mirror?	____mm	

**Where possible a floor plan of the bathroom as per the example below. Please make a diagram and take measurements. This floor plan, combined with photos will be posted on our website to help people with disabilities make decisions about the bathrooms suitability to their needs.**

**Example**



**Draw Diagram here**

SPECIAL SERVICES			
	Is 24-hour guest service provided?	<input type="checkbox"/> YES <input type="checkbox"/> NO	
	Are service dogs allowed in your premises?	<input type="checkbox"/> YES <input type="checkbox"/> NO	
	<b>If service dogs are allowed</b> in your premises, are they allowed to stay in bedrooms?	<input type="checkbox"/> YES <input type="checkbox"/> NO	
<p>Do you provide services for <b>guests with hearing impairments?</b> (Please tick)</p> <input type="checkbox"/> text telephone <input type="checkbox"/> emergency call system with vibrating pads (if fire alarm is activated) <input type="checkbox"/> emergency call system with flashing lights (if fire alarm is activated) <input type="checkbox"/> <b>other</b> <p><input type="checkbox"/> <b>None of the above</b></p> <p><b>If you selected "Other" please describe:</b></p> <p>_____</p> <p>_____</p> <p>_____</p>			
<p>Do you provide services for <b>guests with visual impairments?</b> (Please tick)</p> <input type="checkbox"/> contrast markings on glass doors and full-height windows <input type="checkbox"/> guest information in large print format <input type="checkbox"/> restaurant/bar menus/bar prices available in large print format <input type="checkbox"/> tactile route within or outside the premises <input type="checkbox"/> audible alarm system <input type="checkbox"/> <b>other:</b> <p><input type="checkbox"/> <b>None of the above</b></p>			<u>Photo optional</u>
<p><b>If you selected "Other" please describe:</b></p> <p>_____</p> <p>_____</p> <p>_____</p>			
Do you provide other <b>special services for guests with a disability?</b>		<input type="checkbox"/> YES <input type="checkbox"/> NO	<u>Photo optional</u>
<p><b>If yes, which services?</b></p> <p>1. _____</p> <p>2. _____</p> <p>3. _____</p>			